



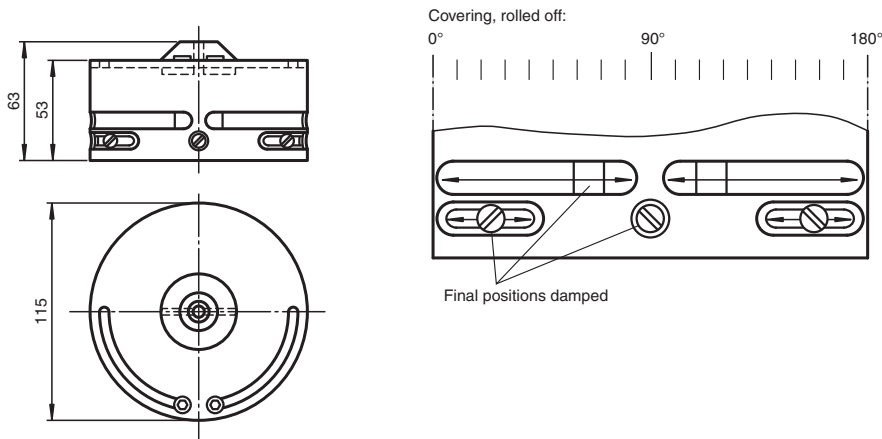
Activator

BT115B

- 3-position indication option with F31 series double sensor
- Upper and lower damping levels are continuously adjustable
- One fixed actuating lug
- 2 x two 90° offset, 90° adjustable actuating lugs
- Suitable for right and left rotating drives

Activator for F31 series

Dimensions



Technical Data

General specifications	
Ring diameter	max. 105 mm
Spring ring height	max. 5 mm
Ambient conditions	
Ambient temperature	-25 ... 70 °C (-13 ... 158 °F)
Mechanical specifications	
Shaft diameter	< 90 mm
Shaft height	30 mm and 50 mm
Mounting hole pattern	30 x 130 mm
Material	
Housing	POM
Spacer disk	PA (2 units, 10 mm strong)
Mounting screw	for activator: 1.4305 / AISI 303 (1 piece M6 x 35) for sensors - F31: 1.4305 / AISI 303 (4 pieces M5 x 16) (2 pieces M5 x 12)
Activation target	Stainless steel 1.4305 / AISI 303 (integrated)

Release date: 2020-03-31 Date of issue: 2020-06-29 Filename: 122900_eng.pdf

Refer to "General Notes Relating to Pepperl+Fuchs Product Information".